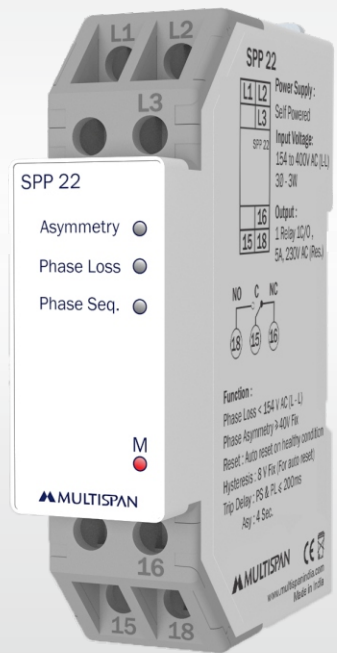


SPP-22

Single Phase Preventor



Features

- Compact Size
- LED Indicate For Healthy / Faulty Status
- Self Powered
- High Precision & accuracy

Protection Available

- ▶ Phase Asymmetry
- ▶ Phase Sequence
- ▶ Phase Loss

Specification

System	3Ø - 3W
Supply Voltage	154 to 400V AC (L-L)
Phase Loss	< 154V AC (L-L)
Phase Asymmetry	40V AC (L-L)
Hysteresis	8 V
Reset	Auto Reset on Removal of fault condition
Output	1 C/O, 10 A 250V AC 10A, 28V DC (Resistive Load)
Trip Accuracy	±10V
Response Time	200msec MAX

LED Indication

LED 1	Power On	LED 3	Phase Loss
LED 2	Asymmetry	LED 4	Phase seq.

Application

Electrical Control Panel
 Submersible Pump
 Road Construction Panel
 MCC Panel
 Industrial Chiller And HVAC System
 D.G. Set

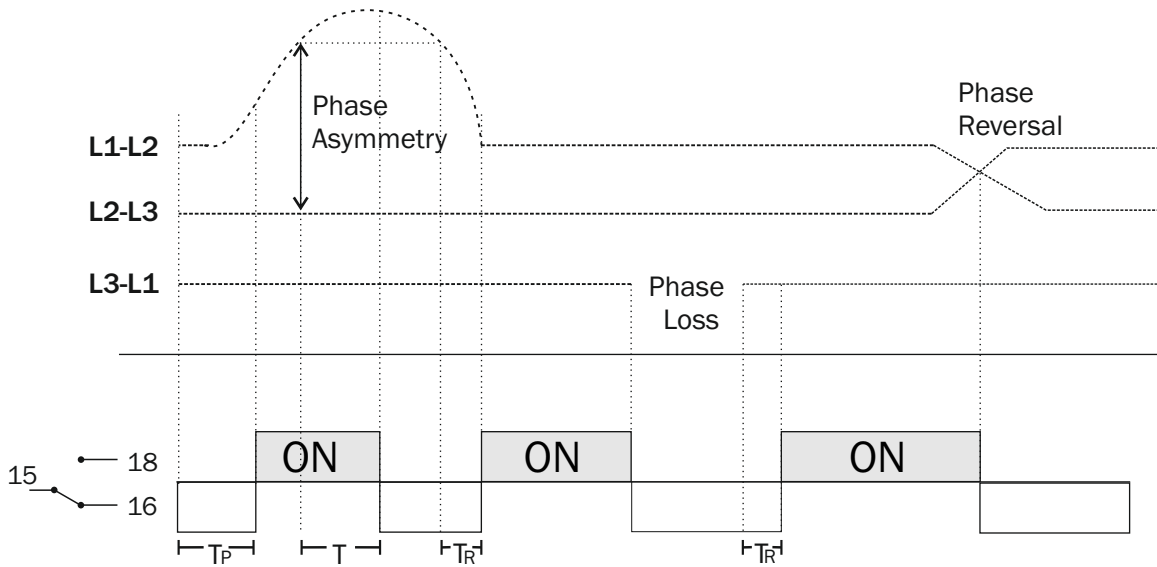
Physical

Mounting Type	Din Rail Mount
Size (H x W x D)mm	90 X 22.5 X 66.35
Material	ABS

Environmental

Working Temperature	0 to 55 °C
Storage Temperature	0 to 55 °C
Relative Humidity	95% RH Non-condensing
Warm up time	5 minutes

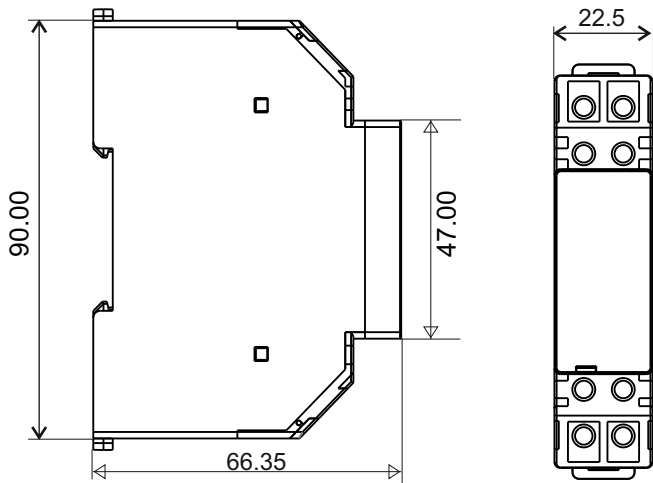
Control Function



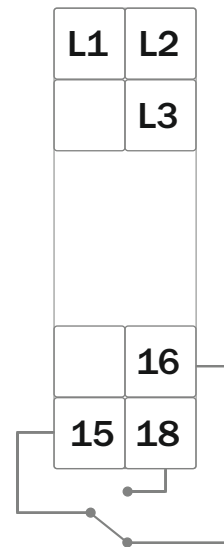
Phase Loss < 154V AC (L-L)
 Phase Asymmetry 40V AC (L-L)
 Hysteresis 8 V

T_p = Power ON Delay (<200ms)
 T = Trip Delay (<5 Sec)
 T_R = Reset Time (<200ms)

Dimension



Terminal Connection



Multispan reserves the right to change specifications without prior notice. Printing and typographical errors reserved.
 Product improvement and upgrade is a constant procedure. So for more updated operating information & support contact us.

Multispan Control Instruments Pvt. Ltd.

72/B, Phase 1, GIDC Estate, Vatva, Ahmedabad-382445, Gujarat, India.

+91-7575805463/7623001206

support@multispanindia.com

Follow us



www.multispanindia.com